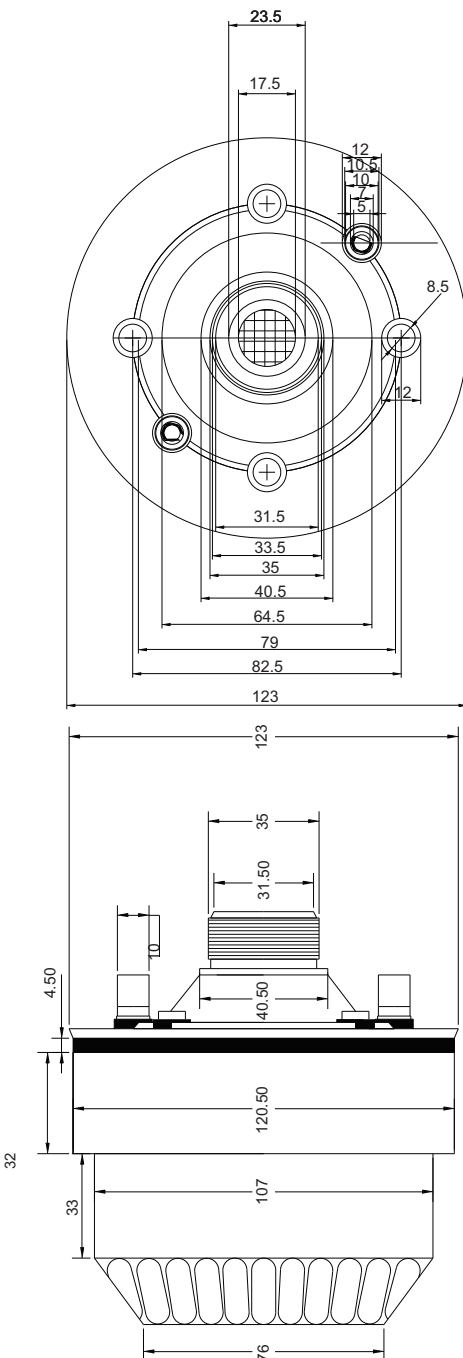


# SPECIFICATION SHEET

## DriverUnit 2195/100 W

Made in an Aluminum die cast head fitted with a spun aluminum back cover turning it to a weather resistant enclosure for a High class ferrite magnet driver unit this driver unit is ideally suited to fit in any reflex/trumpet horn ideally with a 22" diameter Horn. 2195/100 W 100 Watts driver unit is designed to produce best of speech/music quality. it is a high quality/dependable all weather driver unit. Capable of producing wide range of frequency, making it ideal for PA systems and outdoor playback. it is fitted with specially shaped phenolic diaphragms, which is precision wound on POLYIMIDE Film former. A special adhesive is added during winding, making it high temperature resistant.



### Technical Specifications of 2195/100 Driver Unit

Maximum Power	150 Watts
Rated Power	100 Watts
Throat Coupling	1-3/8" 18 TPI
Output SPL	112
Maximum SPL	130
Frequency Response	200 - 7500 Hz
Voice Coil	2"
Head Cover	Die Cast Aluminium
Magnet	Ferrite
Weight	2250 gms