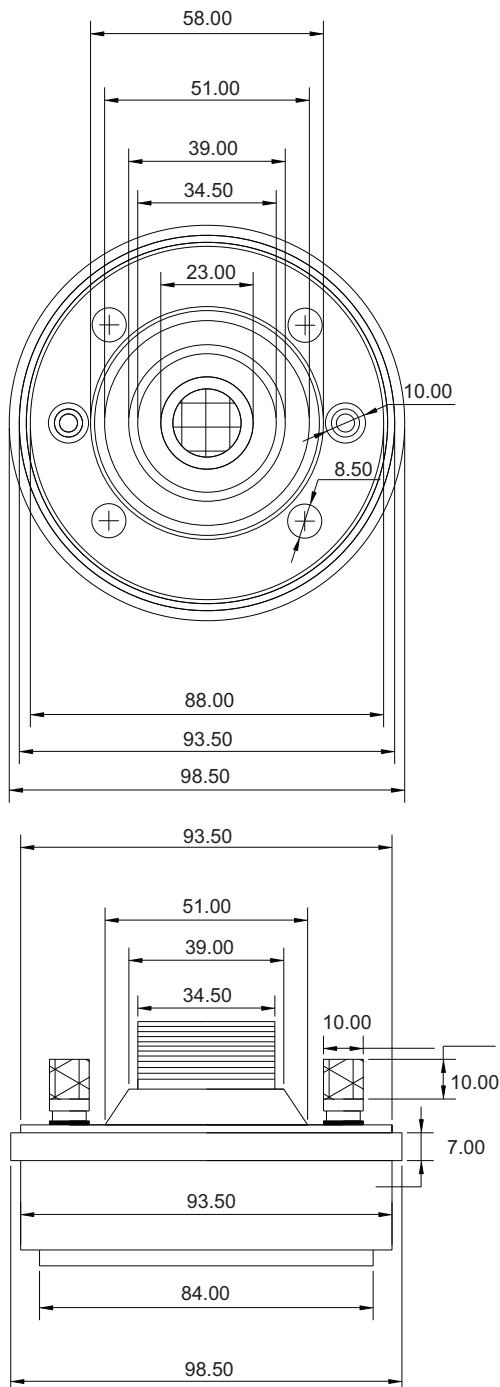
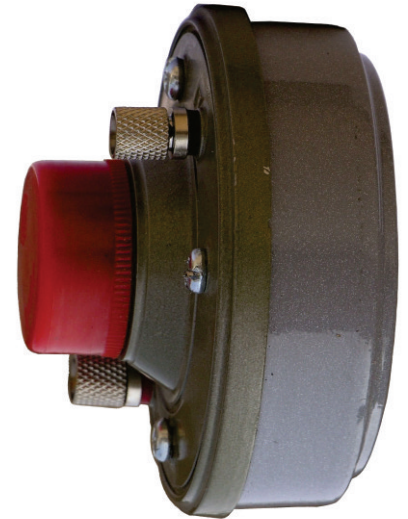


SPECIFICATION SHEET

DriverUnit 9055/40 W

This is a low cost high performance driver unit. made to cater the needs of Indoor/Outdoor PA application whether it is permanent or collapsible installation. 9055/40 W, a 40 watts driver unit is made using ferrite magnet. where the diaphragm in it is high quality phenolic pasted with POLYIMIDE film former and a high temperature resistant copper voice coil, thus making the whole package a dynamic performer in its class. it is a to a weather resistant unit capable to be fitted with practically any Reflex/Trumpet horn.



Technical Specifications of 9055/40 Driver Unit

Maximum Power	40 Watts
Rated Power	25 Watts
Throat Coupling	1-3/8" 18 TPI
Output SPL	110
Maximum SPL	125
Frequency Response	300 - 7000 Hz
Voice Coil Size	1.5"
Head Cover	Die Cast Aluminium
Magnet	Ferrite
Weight	1130 gms