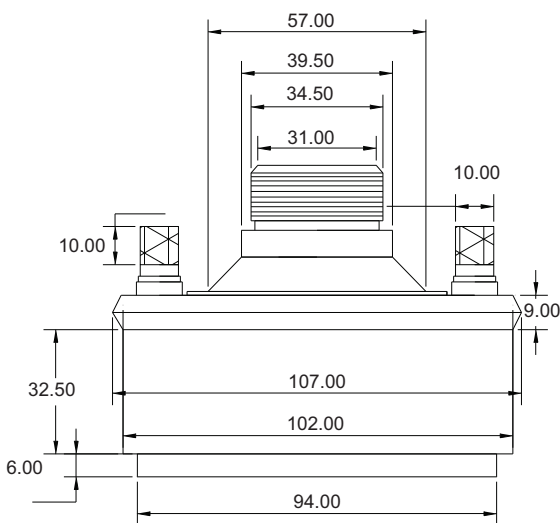
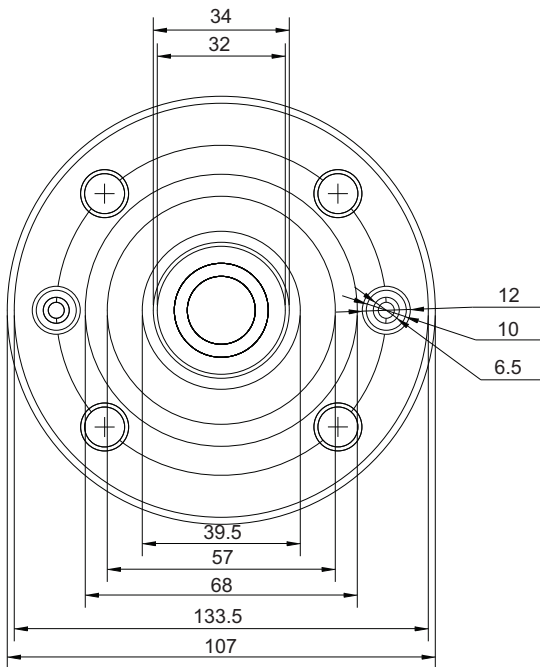


SPECIFICATION SHEET

DriverUnit 9085/45 W

This is a low cost high performance driver unit. made to cater the needs of Indoor/Outdoor PA application whether it is permanent or collapsible installation. 9085/45 W, a 45 watts driver unit is made using ferrite magnet. where the diaphragm in it is high quality phenolic pasted with POLYIMIDE film former and a high temperature resistant copper voice coil, thus making the whole package a dynamic performer in its class. it is a to a weather resistant unit capable to be fitted with practically any Reflex/Trumpet horn.



Technical Specifications of 9085/45 Driver Unit

Maximum Power	55 Watts
Rated Power	45 Watts
Throat Coupling	1-3/8" 18 TPI
Output SPL	110
Maximum SPL	125
Frequency Response	200 - 7500 Hz
Voice Coil	2"
Head Cover	Die Cast Aluminium
Magnet	Ferrite
Weight	1740 gms