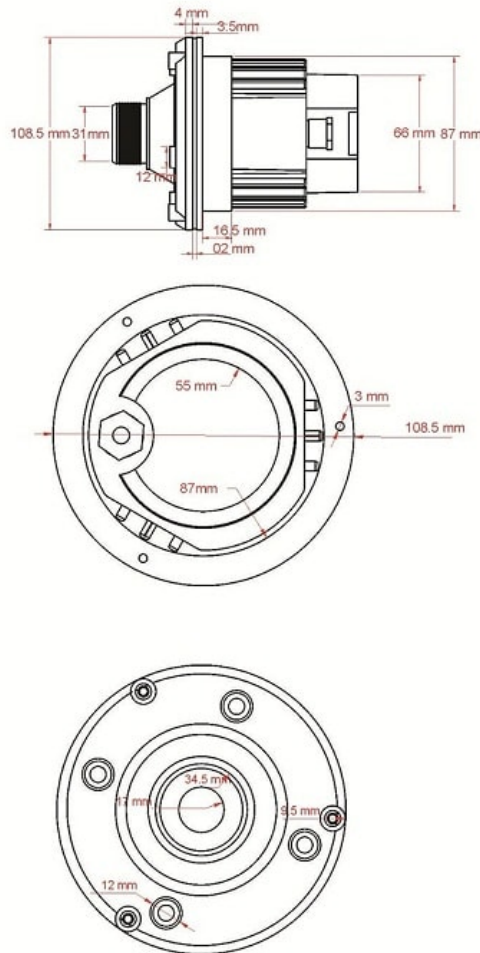


# SPECIFICATION SHEET

## DriverUnit ND 80/70 T

Made in an all in all Aluminum die cast casing turning it to a weather resistant enclosure for an LMT (Line Matching Transformer) Driver unit. this high quality Neodymium magnet driver unit is fitted with a high quality rotatory switch enabling one to select the output from 5 watts to 40 watts in 5 steps and an off position. depending upon amplifier's power and/or number of units required to install can be optimally organized. The ND-80/70 T, 60 Watts driver unit is ideally suited to fit into any reflex or trumpet horn giving excellent frequency response, making them ideal for PA systems and outdoor playback. it is fitted with specially shaped phenolic diaphragms, which is precision wound on POLYIMIDE Film former. a special adhesive is added during winding, making it high temperature resistant.



### Technical Specifications of ND 80/70 T Driver Unit

Maximum Power	100 Watts
Rated Power	80 Watts
Throat Coupling	1-3/8" 18 TPI
Voltage	100 V LMT
Tappings	3,10,20,30,40 W
Frequency Response	175 - 7000 Hz
Head Cover	Die Cast Aluminium
Magnet	Neodymium
Weight	1480 gm

