

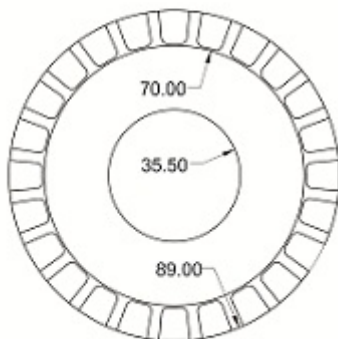
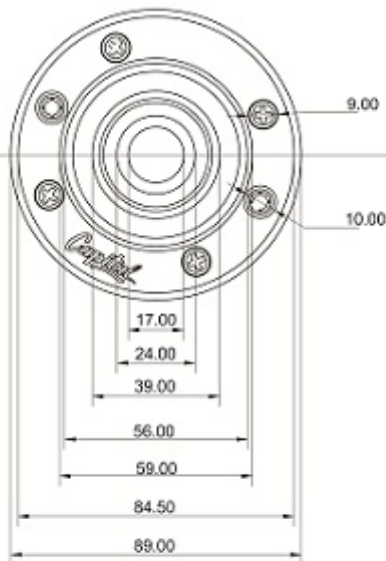
# SPECIFICATION SHEET

## DriverUnit ND 65/50

Intensive development efforts and field trials by Capital Radio have resulted in highly economical driver units using best in quality Neodymium Magnets. The ND 65/50 Watts driver unit is ideally suited to fit into any reflex or trumpet horn giving excellent frequency response, making them ideal for PA systems and outdoor playback. All Neodymium drivers Units are specially shaped, using phenolic diaphragms with a precision wound High Temperature withstanding capability voice coil on POLYIMIDE FILM former.

Overall construction provides:

1. High Output and Crispy sound Output.
2. Rugged and Dependable construction.
3. Weatherproof.
4. Wide Range frequency response.



### Technical Specifications of ND 65/50 Driver Unit

Maximum Power	65 Watts
Rated Power	50 Watts
Throat Coupling	1-3/8" 18 TPI
Output SPL	113 dB
Maximum SPL	128 dB
Frequency Response	200 - 7500 Hz
Head Cover	Die Cast Aluminium
Magnet	Neodymium
Weight	490 gms



Capital Radio Company, New Delhi-110020, India

